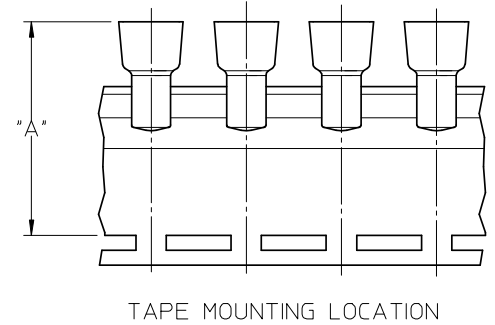
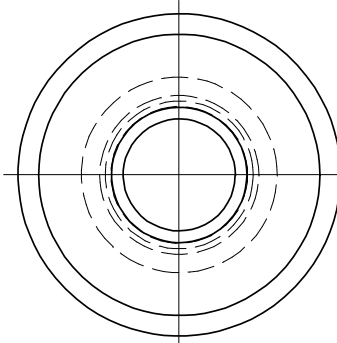
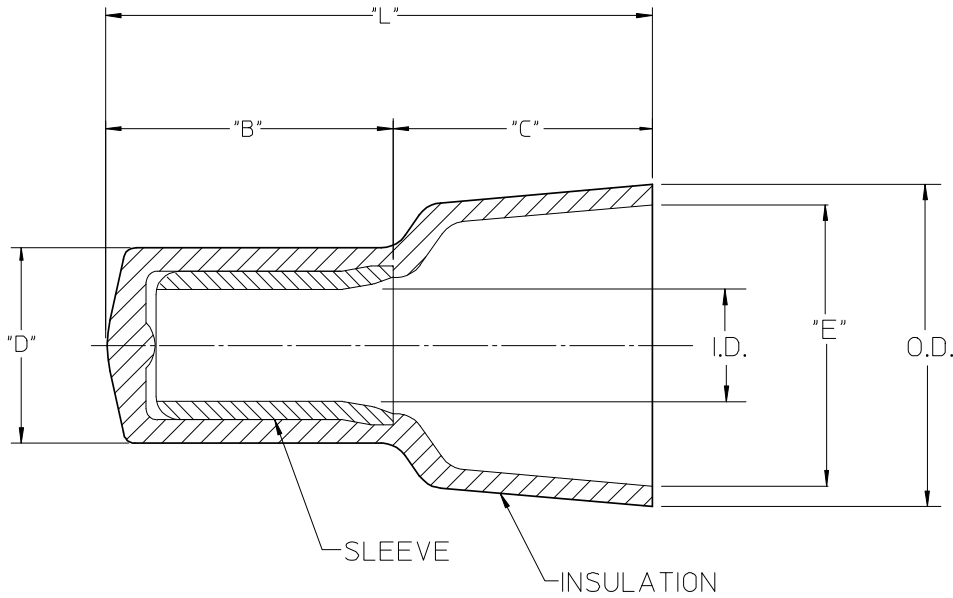


LOOSE PIECE		TAPE MOUNTED		"L" MAX.	"B" ±.010/0.25	"D" MAX.	"E" MIN.	I.D. MIN.	O.D. MAX.	"A" DIM ±.015/0.38	"C" REF
MATERIAL NO.	ENG. NO.	MATERIAL NO.	ENG. NO.								
191600012	NC-2214	191600070	NC-2214T	.62/15.7(G)	.33/8.4(G)	.19/4.8	.24/6.1	.09/2.3	.32/8.1	1.543/39.19	.28/7.1(G)
191600009	NC-2212	191600071	NC-2212T	.76/19.3(G)	.35/8.9(G)	.23/5.8	.27/6.9	.10/2.5	.36/9.1	1.631/41.43	.39/9.9(G)
191600002	NC-1610	191600083	NC-1610T	.90/22.8	.39/9.9	.28/7.1	.38/9.6	.15/3.8	.45/11.4	1.750/44.45	.51/13.0
191600024	NC-8	191600028	NC-8T	1.10/27.9(G)	.50/12.7(G)	.36/9.1	.48/12.2	.21/5.3	.57/14.5	1.864/47.35	.60/15.2(G)



NOTES:

- MATERIAL: SLEEVE: TIN-PLATED COPPER
INSULATION: 6/6 NYLON,
NATURAL TRANSLUCENT
- (G) PARTS ARE ROHS COMPLIANT.

SALES DRAWING

CORRECT DIM ERRORS EC NO: WNA2008-0280 DRAWN BY: H.BEITZE CHKD: JMACNEIL APPR: JMACNEIL	QUALITY SYMBOLS	GENERAL TOLERANCES (UNLESS SPECIFIED)	DIMENSION STYLE	SCALE	DESIGN UNITS	THIRD ANGLE PROJECTION
	▽=0	mm INCH	IN/MM	5:1	INCH	
	▽=0	4 PLACES ± --- ± --- 3 PLACES ± --- ± --- 2 PLACES ± --- ± --- 1 PLACE ± --- ± ---	DRAWN BY DATE H.BEITZE 04/02/23	TITLE	CLOSED END CONNECTORS NYLON INSULATED	
		ANGULAR ± ---°	CHECKED BY DATE R.DERROSS 04/02/23	APPROVED BY DATE R.DERROSS 04/02/23	MOLEX INCORPORATED	
		DRAFT WHERE APPLICABLE MUST REMAIN WITHIN DIMENSIONS	SEE CHART	DOCUMENT NO.	SD-19160-001	SHEET NO. 1 OF 1
			SIZE B	THIS DRAWING CONTAINS INFORMATION THAT IS PROPRIETARY TO MOLEX INCORPORATED AND SHOULD NOT BE USED WITHOUT WRITTEN PERMISSION		